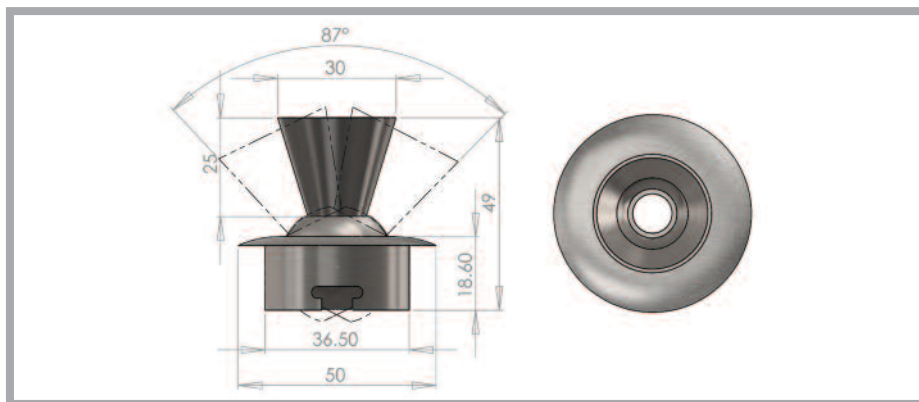


## UFO 10DA Downlight



**An adjustable downlight fitting with trumpet, secured through ceiling with spring clips.**

Available in a range of finishes, this fitting can be rotated and tilted to point directly at any objects to be illuminated. The fitting also allows for the light beam to be focused. The fitting is also suitable for mounting in the base of a display case and illuminating upwards.

Description	
Lens	Clear focusing lens
Material	Aluminium (Stainless steel option available to special order)
Colours available	Polished aluminum, chrome, black, white
Focus range	40° - 75°
Flange size	Ø50 mm
Tilt	28°
Rotate	360°
Weight	55.1 g
Mounting hole size	40 mm
Mounting	Recessed, held by springs
Ferrule size	M10 or 8 mm smooth
Min. fibre size	2 mm
Max. fibre size	8 mm

Our downlight fittings are suitable for use in a variety of different applications and are the ideal solution for the illumination of static objects within a display case or cabinet.

Uses include:

- Museum and gallery cabinet and display lighting
- Accentuation of pictures and other objects
- Illumination of shop displays