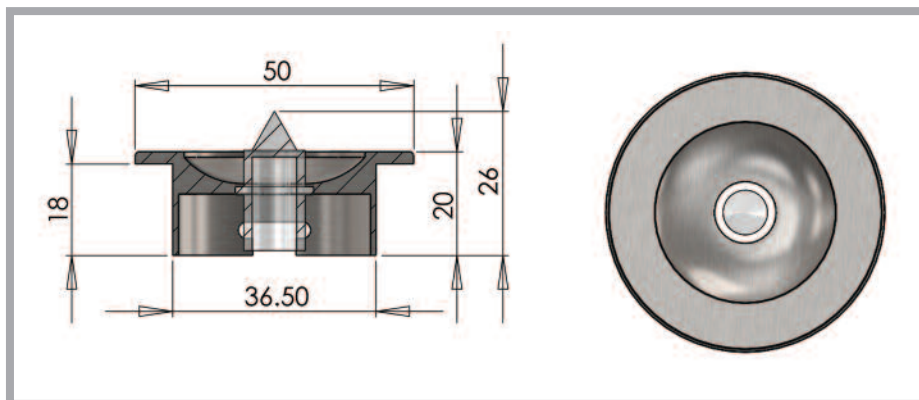


UFO 12D Sparkle Downlight



A large sparkle point with a recessed flange. Supplied with spring clips for securing through a ceiling.

Flange available in a variety of colours.

Description	
Material	Polycarbonate body, aluminium or polycarbonate flange
Colours available	Clear body with flange in either polished aluminium chrome black white ivory
Flange size	50 mm
Weight	26.6 g
Mounting hole size	40 mm
Ferrule size	M8
Min. fibre size	2 mm
Max. fibre size	6 mm

Ideal for star ceiling effects on very high ceilings.