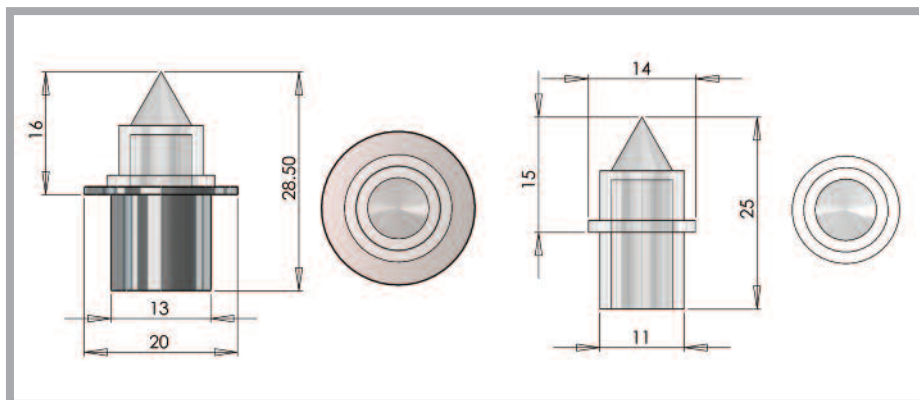


## UFO 12DS / 12DSF Sparkle Fitting



### An acrylic sparkle point for an M8 ferrule.

Manufactured from clear acrylic, the UFO12DS is supplied as a sparkle bullet only. The 12DS/F is identical but additionally has a coloured flange.

Description	UFO 12DS	UFO 12DS/F
Material	Polycarbonate	Polycarbonate
Colours available	Clear.	Clear body with coloured flange in black, white or chrome
Size	14 mm	20 mm
Weight	1.3 g	2.1 g
Mounting hole size	11 mm	13 mm
Ferrule size		
Min. fibre size	2 mm	2 mm
Max. fibre size	4.5 mm	4.5 mm

Ideal for internal signage applications and sparkle effects on high ceilings.