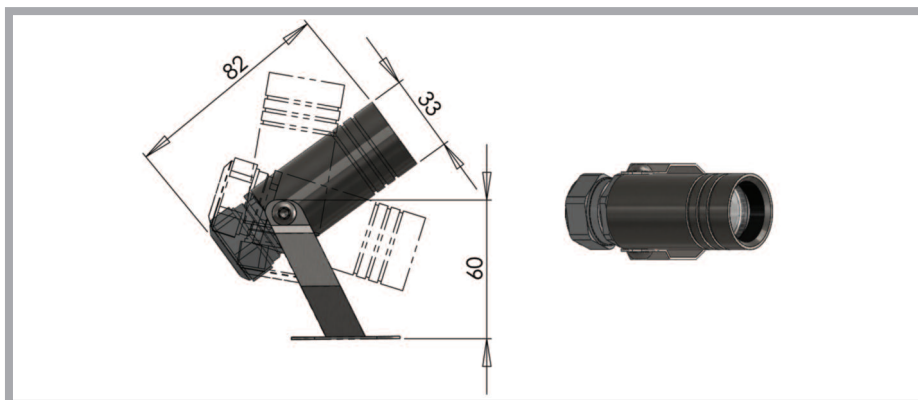


UFO 1D Downlight



A wet area spotlight constructed from stainless steel and supplied with mounting bracket.

Suitable for use in water features, walls, gardens and other areas where a spotlight or narrow beam of light is desired. Can be mounted to any surface using the supplied bracket or can be used with a ground spike fitting for placement in the ground.

Description	
Lens	Clear focusing lens
Focus range	12° - 22°
Material	Stainless steel
Colours available	Stainless steel
Focus range	12° - 22°
Size	Ø33 mm
Weight	281.6 g
Mounting	M6 screwfix through bracket
Ferrule size	M10
Min. fibre size	5 mm
Max. fibre size	8 mm

These fittings are suitable for use in a variety of different applications and as well as wet area applications, they are the ideal solution for the illumination of static objects within a display case or cabinet where a spotlight is required.

Uses include:

- Outdoor and wet area spotlights
- Cabinet and display lighting
- Illumination of shop displays