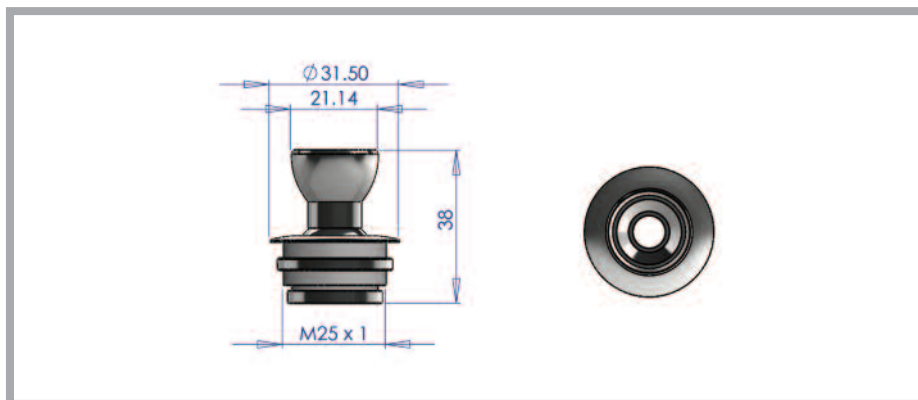


UFO 29H Hermetic Downlight Fitting



The UFO 29H downlight fitting allows an airtight seal to be maintained within a display case when using fibre optics.

Available with two different trumpet options which take different lenses - one wide and one narrow, each of which provides a different beam angle. Choice of trumpet to be specified on ordering.

Description	
Glass	Domed focusing lens
Focus range	25° - 65° / 70° - 120°
Material	Aluminium
Colours available	Polished aluminium, chrome, black, white
Flange size	31.5 mm
Weight	19.2 g
Mounting hole size	27 mm
Ferrule size	M8
Min. fibre size	2 mm
Max. fibre size	6 mm

These fittings are made from aluminium and the air seal is maintained by a series of three o-rings around the flange, eyeball and ferrule.

The ferrule is tightened fully onto the fitting and the focus adjustment is made using the trumpet. The further onto the ferrule the trumpet is screwed, the wider the beam.

The tight tolerances attained during manufacture help ensure many years of reliable operation.