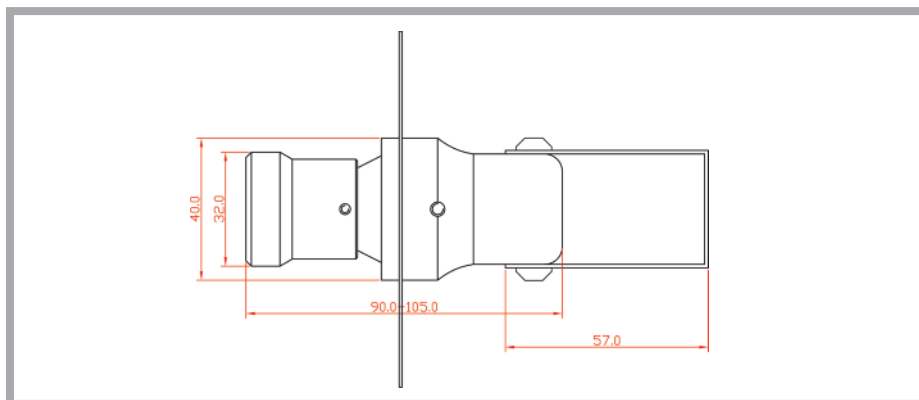


UFO 2F Framing Projector



The UFO 2F framing projector is used to frame an object or picture with a beam of light.

The in-built shutters create a square or rectangular beam shape. By moving these, the size of the beam can be altered to perfectly frame the sides of a painting or an object. The shutters can also be moved in such a way to create a wedge of light rather than a simple rectangle. This can be useful to allow for parallax correction when the fitting is mounted above the illuminated object and shining down at an angle.

The fitting is also focussable. By moving the lens tube backwards or forwards, the beam of light can be focussed from hard to soft.

Description	
Lens	Clear focusing lens
Beam angle	20° - 45°
Material	Aluminium
Colours available	White as standard - other colours available
Weight	163g
Mounting	M6 screwfix through bracket
Ferrule size	M10
Min. fibre size	2 mm
Max. fibre size	8 mm

These fittings are particularly suitable for use in museums and galleries where they can be used to safely illuminate perishable objects and pictures without the heat or UV associated with traditional lighting methods.