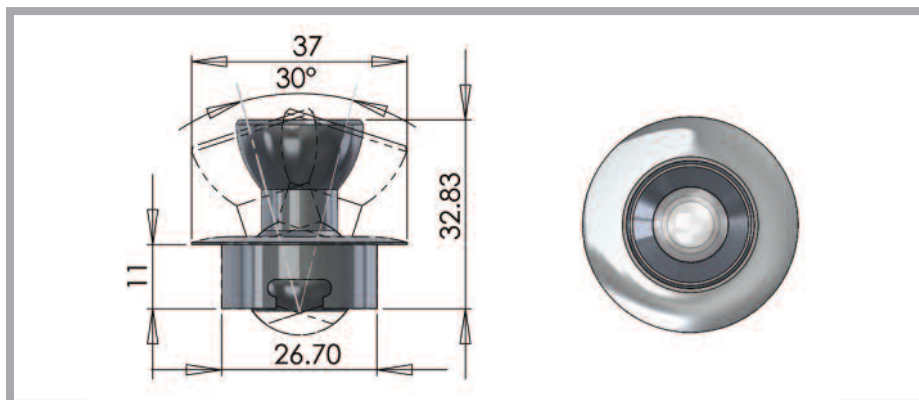


UFO 9D Downlight



A mini adjustable downlight fitting with trumpet, secured through ceiling with spring clips.

Available in a range of finishes, this fitting can be rotated and tilted to point directly at any objects to be illuminated. The fitting also allows for the light beam to be focused. The fitting is also suitable for mounting in the base of a display case and illuminating upwards. Supplied with two trumpets to give a wide and a narrow focus range.

Description	
Lens	Clear focusing lens
Material	Aluminium
Colours available	Polished aluminium, black, white
Focus range (trumpet A)	25° - 65°
Focus range (trumpet B)	70° - 120°
Flange size	Ø37 mm
Tilt	30°
Rotate	360°
Weight	20.7 g
Mounting hole size	31 mm
Mounting	Recessed, held by springs
Ferrule size	M8
Min. fibre size	2 mm
Max. fibre size	6 mm

Our downlight fittings are suitable for use in a variety of different applications and are the ideal solution for the illumination of static objects within a display case or cabinet.

Uses include:

- Museum and gallery cabinet and display lighting
- Accentuation of pictures and other objects
- Illumination of shop displays