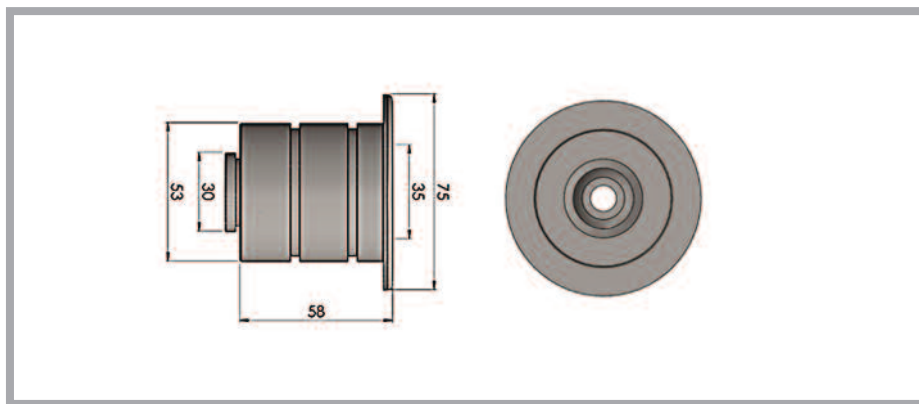
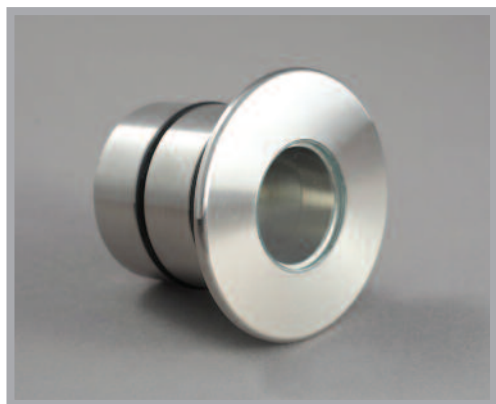


UFO E4 Submersion Fitting



A large submersible eyeball fitting manufactured from stainless steel with a front mounted flat lens and a rear adjustable ball.

Suitable for fitting into CP2 pool pipe for more accurate and easier installation.

Description	
Glass	35mm flat front with rear
Material	Stainless steel
Colours available	Natural
Flange size	75 mm
Weight	681 g
Ferrule size	M10 or 8 mm smooth
Min. fibre size	2 mm
Max. fibre size	8 mm

Our submersible eyeball fitting range are suitable for installation in constant immersion settings such as swimming pools, ponds and water features.

Mainly used to provide side-lighting they project a beam of light from the mounting surface through the water.

A wide flange allows superior sealing against smooth surfaces. The eyeball part of the fitting is sealed against water ingress with an o-ring compressed by a locking ring.