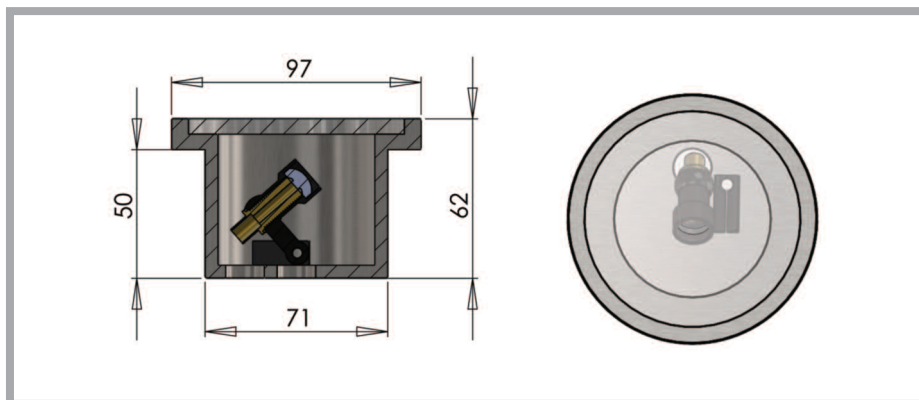
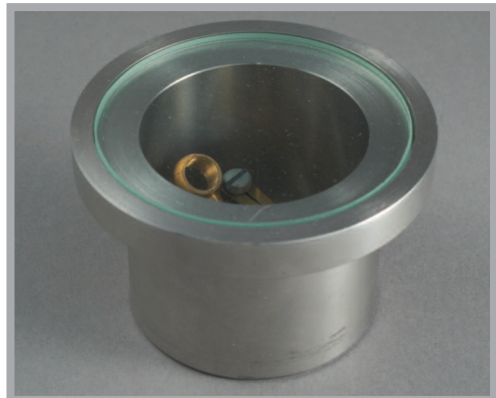


UFO P7 Paver



A large inground directional paver manufactured from stainless steel with clear glass.

This paver has an internally mounted lens which allows light to be directed at an angle. This is the ideal solution where the light needs to hit an object such as a wall or a sculpture.

Description	
Glass	Clear
Material	Stainless steel
Colours available	Stainless steel, chrome
Flange size	97 mm
Weight	917 g
Mounting hole size	72 mm
Ferrule size	M10 or 8 mm smooth
Min. fibre size	2 mm
Max. fibre size	8 mm

Our paver fittings are suitable for use in a variety of different applications and are the ideal solution to floor level lighting both indoors and outside.

Uses include:

- Marker lighting for pathways and entrances
- Wall washing, inside or out
- Uplighting columns or archways
- Mood lighting in any room in the house, including wet rooms and pool areas

Paver fittings can be installed in many surfaces including wooden floors, decking, paving, stair skirting and concrete.