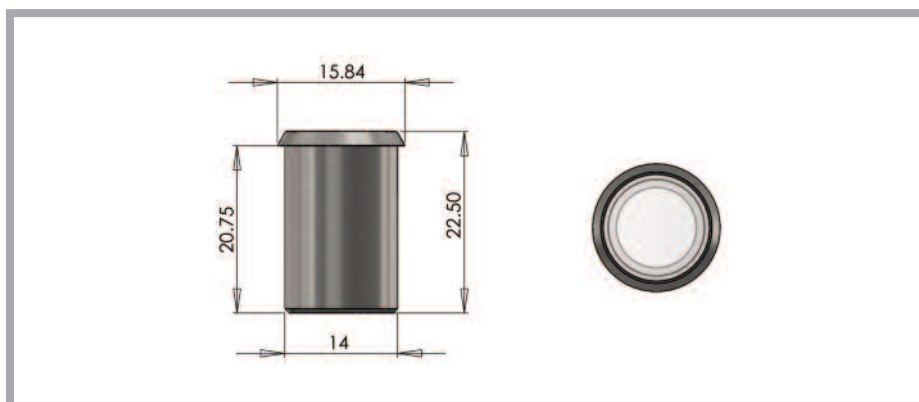


UFO P9N Paver



A small, round paver with a domed focusing lens. Manufactured from stainless steel with clear glass.

Ideal for use in lighting stair treads or creating scalloped uplighting as the beam can be focused.

Description	
Glass	Clear focussing lens
Beam angle	40°
Material	Stainless steel
Colours available	Natural
Flange size	15.84 mm
Weight	18.1g
Mounting hole size	15 mm
Ferrule size	M8
Min. fibre size	2 mm
Max. fibre size	6 mm

Our paver fittings are suitable for use in a variety of different applications and are the ideal solution to floor level lighting both indoors and outside.

Uses include:

- Marker lighting for pathways and entrances
- Wall washing, inside or out
- Uplighting columns or archways
- Mood lighting in any room in the house, including wet rooms and pool areas

Paver fittings can be installed in many surfaces including wooden floors, decking, paving, stair skirting and concrete.