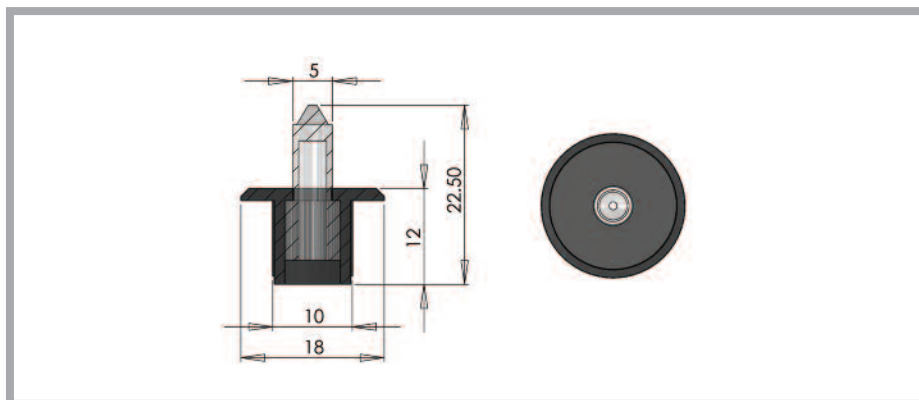


UFO S1 Sparkle Fitting



A flanged sparkle point fitting which is available in plastic for indoor use or stainless steel for outdoor use.

Flange available in a variety of colours. A stainless steel version with a threaded back is also available.

Description	
Material	Acrylic
Colours available	Clear body with flange in either stainless steel chrome black white ivory
Size	18 mm
Weight	1.2 g
Mounting hole size	10 mm
Ferrule size	Size 1 crimp
Fibre size	1mm active diameter

This fitting is popular with signmakers and for ease of installation in ceilings.

As an optional extra, we can supply accessory tubes which allow mounting these fittings through single or double skinned ceilings.

These are available in 25mm, 80mm or 135mm lengths.