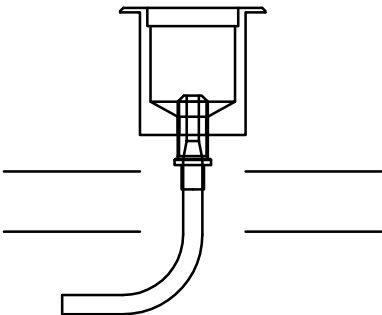


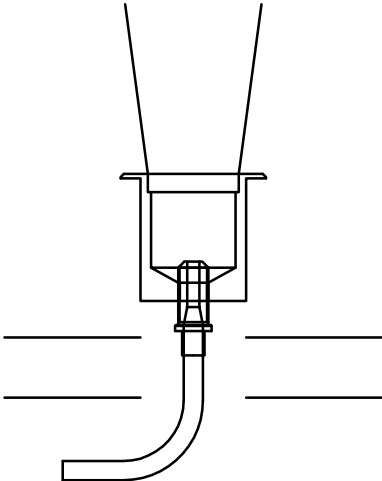
UFO P4 Paver Fitting Instructions



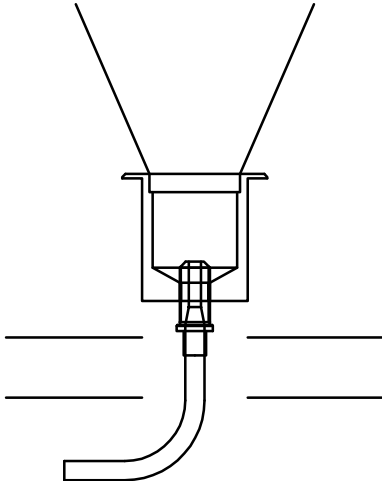
Cutout Required: 12/12.5mm



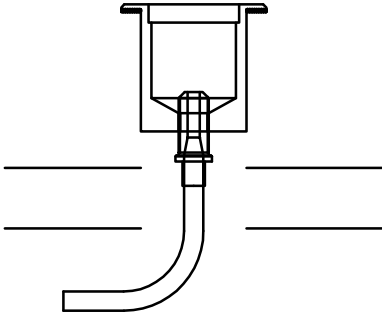
(1) Hold fibre optic tail in hand gently and screw on fitting.



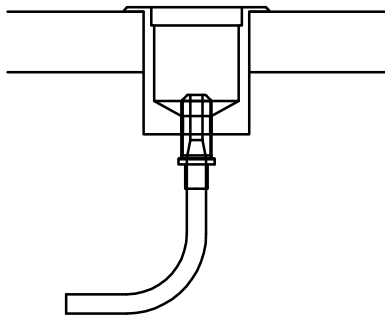
(2) A narrow beam of light is produced if the fitting is screwed on by a few threads.



(3) A wider beam of light is produced if the fitting is screwed on almost as far as it will go.



(4) Apply some silicone sealant to the underside of the paver's lip to provide adhesion to the mounting surface.



(5) Drop the paver into its hole.

Universal Fibre Optics Limited

Home Place
Coldstream
TD12 4DT
United Kingdom

tel: +44 (0)1890 883416
fax: +44 (0)1890 883062
email: info@fibreopticlighting.com
for sales or London service office