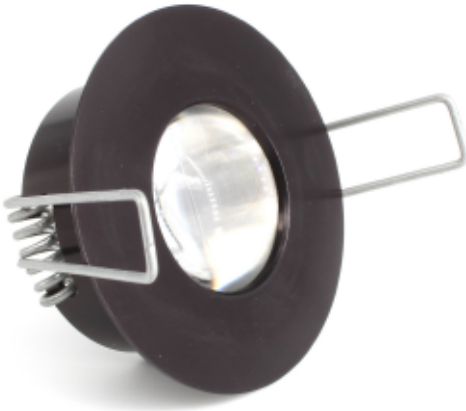


PRODUCT SPECIFICATION SHEET



Rev. C1

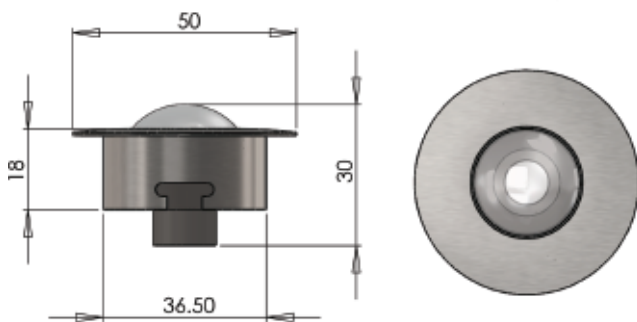
UFO 13DA Downlight



A fixed lens downlight fitting with a smooth flange, secured through ceiling with spring clips.

Available in a range of finishes, this fitting allows for the light beam to be focused. The fitting is also suitable for mounting in the base of a display case and illuminating upwards.

Our downlight fittings are suitable for use in a variety of different applications and are the ideal solution for the illumination of static objects within a display case or cabinet.



TECHNICAL INFORMATION

Lens	26mm lens
Focus range	20° - 45°
Material	Aluminium, (stainless steel option available to special order)
Finishes available	Aluminium, black, white, (chrome subject to availability - special orders only, extended lead times)
Flange size	ø50
Weight	44.4g
Mounting hole size	40mm
Mounting	Recessed, held by springs
Ferrule size	M10 or 8mm smooth
Min. fibre size	2mm
Max. fibre size	8mm

ORDERING CODES

MODEL	MATERIAL		FINISH		FERRULE SIZE	
UFO 13DA	Aluminium	ALU	Aluminium	ALU	M10	M10
	Stainless Steel	SS	Black	BL	8mm	8mm
			White	WH		
UFO 13DA						



Universal Fibre Optics Ltd
Home Place \ Coldstream
TD12 4DT \ UK
+44 (0)1890 883416 \ www.ufo.lighting

Universal Fiber Optic Lighting USA, LLC
1749 Northgate Blvd
Sarasota \ FL34234 \ USA
941-343-8115 \ www.fiberopticlighting.com

UFO Licht GmbH
Friendsfactory AG \ Gutenbergstraße 1
85737 Munchen \ Deutschland
+49 (0)9491 955880 \ www.ufo-licht.de