



UFO ECLIPSE LED TRACK LIGHTING PRODUCT SPECIFICATION SHEET

Rev. D1 UK

Our smallest, most discrete linear LED strips, designed especially for museum, gallery and retail display cases.

The Eclipse is available in two different profiles:

Rectangular - for mounting on a flat surface
Triangular - for mounting in a corner

Both variations of the Eclipse can be fitted with either one or two adjustable eyelids. These can be adjusted to direct the light at a specific angle and are also useful for stopping glare from the light.

Universal Fibre Optics Ltd
Home Place \ Coldstream
TD12 4DT \ UK
+44 (0)1890 883416
www.ufo.lighting

Universal Fiber Optics USA LLC
1749 Northgate Blvd
Sarasota \ FL34234 \ USA
941-343-8115
www.fiberopticleighting.com

UFO Licht GmbH
Andreasstraße 20
93059 Regensburg \ DE
+49 (0)9491 955880
www.ufo-licht.de



UFO Eclipse

Track Extrusion Types

Rectangular Extrusion With Eyelid



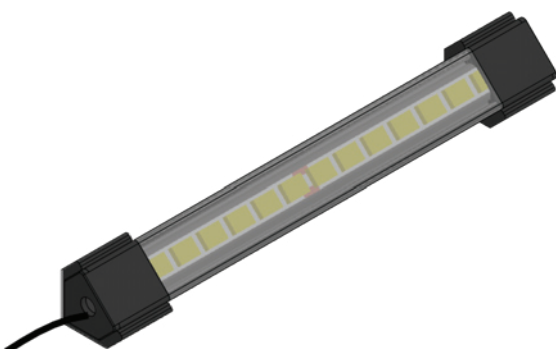
Triangular Extrusion With Eyelid



Rectangular Extrusion No Eyelid



Triangular Extrusion No Eyelid



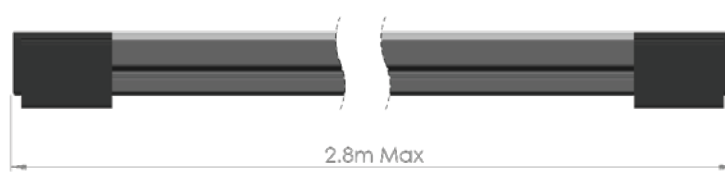
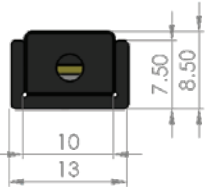
Technical Information

Material	Aluminium
Finish	Black anodised
No. of LED's	182 LED's per metre
Colour Temp. Options	2700K, 3000K or 4000K
CRI	97 CRI
Lumen Output	846lm per metre
Beam Angle	100° without eyelid
Track Supply Voltage	24V DC
Power Consumption	9W per metre
Available Standard Lengths	<p>Minimum Length: 92mm overall (70mm lit length)</p> <p>Maximum Length: 2787mm overall (2765mm lit length)</p> <p>Overall lengths available between these 2 values at 38.5mm increments. Lit length is always 22mm less than overall length.</p>
Mounting Method	<p>Plastic mounting clips</p> <p>Minimum of 2 every 500mm when no eyelid is fitted</p> <p>Minimum of 2 every 250mm when an eyelid is fitted</p>
Accessories	<p>Either 1 or 2 removable eyelids can be fitted to each extrusion.</p> <p>These can be the full length of the extrusion or 1 can be fitted to left hand end, one to right and a gap can be left in the middle.</p>
Dimming Options	<p>No dimming</p> <p>Manual dimming</p> <p>Casambi Bluetooth dimming</p> <p>DALI dimming</p> <p>DMX dimming</p> <p>0-10V dimming</p>

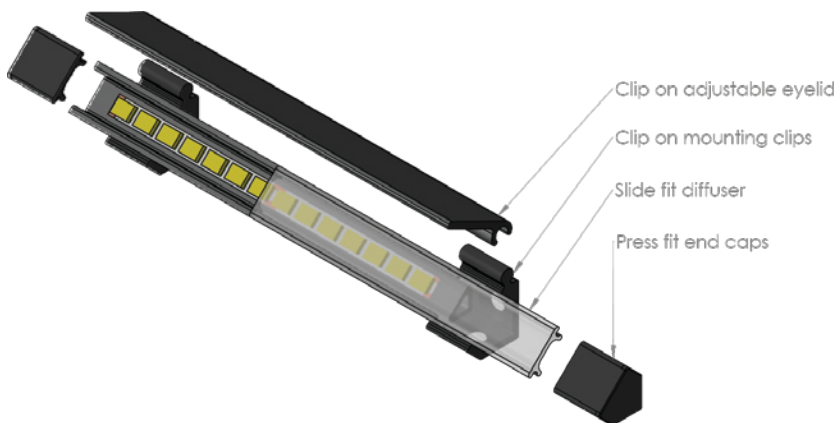
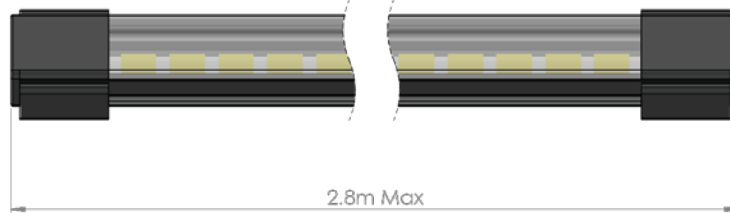
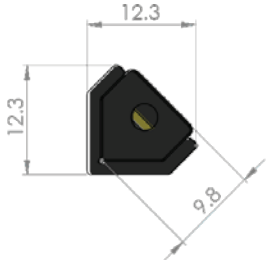
UFO Eclipse

Schematics & Codes

Rectangular Extrusion



Triangular Extrusion



Eclipse Ordering Code Selector

Eclipse Ordering Code Selector				Code
Model	UFO ECLIPSE [UFO ECL]			UFO ECL
Colour Temp	2700K [27]	3000K [30]	4000K [40]	[]
Finish	Black [BL]			[]
Profile & Length	Rectangular [REXXXX]	Triangular [TRXXXX]		[]
Eyelids & Length	None [0EL]	One [1ELXXXX]	Two [2ELXXXX-XXXX]	[]

Ordering Code Examples: UFO ECL-27-BL-RE169-0EL / UFO ECL-30-BL-RE169-1EL169 / UFO ECL-40-BL-RE169-2EL50-50
Please use millimetres for all measurements