

# PRODUCT SPECIFICATION SHEET



Rev. C1

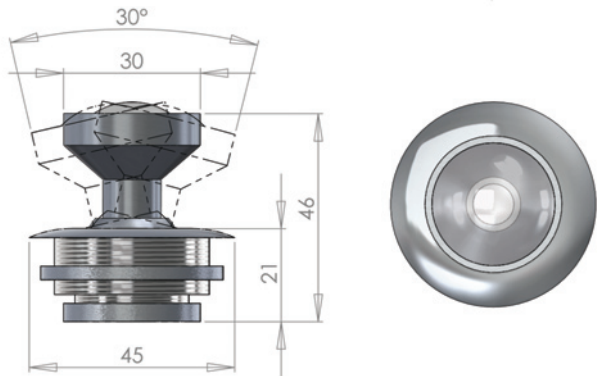
## UFO 28H Hermetic Fitting



The UFO 28H downlight fitting allows an airtight seal to be maintained within a display case when using fibre optics.

These fittings are made from aluminium and the air seal is maintained by a series of three o-rings around the flange, eyeball and ferrule. The ferrule is tightened fully onto the fitting and the focus adjustment is made using the trumpet. The further onto the ferrule the trumpet is screwed, the wider the beam. The tight tolerances attained during manufacture help ensure many years of reliable operation.

Chrome finish subject to availability, is special order and an extended lead time may be required.



### TECHNICAL INFORMATION

Lens	26mm clear focusing lens
Focus range	40° - 65°
Material	Aluminium
Finishes available	Polished aluminium, black, white, chrome
Weight	50g
Mounting hole size	38mm
Ferrule size	M10
Min. fibre size	2mm
Max. fibre size	8mm
Flange size	45mm
Articulation	Tilt: 30° / Rotation: 360°

### ORDERING CODES

MODEL	MATERIAL		FINISH		FERRULE SIZE	
UFO 28H	Aluminium	ALU	Aluminium	ALU	M10	M10
			Black	BL		
			White	WH		
			Chrome	CH		
UFO 28H						



Universal Fibre Optics Ltd  
Home Place \ Coldstream  
TD12 4DT \ UK  
+44 (0)1890 883416 \ www.ufo.lighting

Universal Fiber Optic Lighting USA, LLC  
1749 Northgate Blvd  
Sarasota \ FL34234 \ USA  
941-343-8115 \ www.fiberopticlighting.com

UFO Licht GmbH  
Friendsfactory AG \ Gutenbergstraße 1  
85737 Munchen \ Deutschland  
+49 (0)9491 955880 \ www.ufo-licht.de