



REVISION: B2

Product Overview

Surface mounted cube shaped downlight with a choice of optics & colour temperatures.

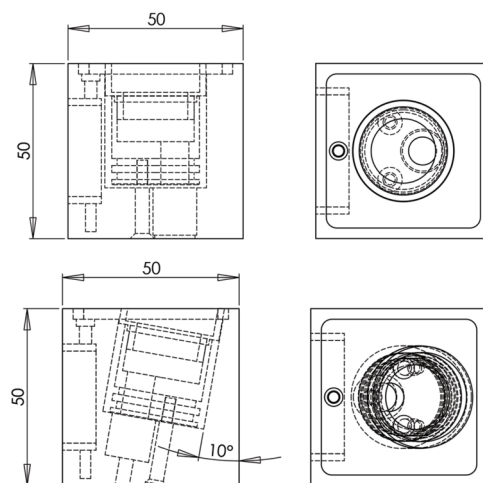
A stylish IP65 rated 50mm cube which is designed to illuminate pillars and walls with glowing light. Fitted with a Cree LED and manufactured from materials which ensure it is suitable for use outdoors as well as in.

The LD8 is available in either a straight or angled version and comes with a choice of colour temperatures and narrow or wide optics that allow you to direct the light where it is needed most.



Technical Information

Colour Temperatures & Typical CRI Values	3000K - 96CRI	4000K - 95CRI
Power Consumption	1.12W per fitting, not inc. driver	
Voltage	3.2V nominal	
Driver Options	No dimming Local dimming	0-10V dimming Remote dimming
Lumens per Watt (15° lens)	3000K - 64lm/w	4000K - 77lm/w
Lumen Output (15° lens)	3000K - 78lm	4000K - 90lm
Lens Options	15° / 51°	
LED Life	50,000 hours	
IP Rating	IP65	
Material	External cube - hard anodised alu Internal body - 316 stainless steel Decorative flange - brass	
Colours	Cube - black or silver hard anodised with optional powder coat	



Fittings per Driver

Using the standard UFO Unidrive CC9 driver combined with the SPCC1 splitter unit, the maximum number of fittings that can be powered by one driver is 12.

For other configurations please contact UFO for advice.

Ordering Code Selector

MODEL TYPE	OPTICS		COLOUR TEMP		FINISH		COLOUR		STYLE	
UFO LD8	15°	15	3000°K	30	Anodised	AN	Black	BL	Straight	ST
	51°	51	4000°K	40	Powdercoat	PC	Silver	SV	Angled	AN
							White	WH		
							Custom	CU		

e.g.: UFO LD8-15-30-AN-BL-ST

Please state RAL code for custom colour.