



Image shows Comet with dual slotted common end.

COMET LED LIGHT SOURCE PRODUCT SPECIFICATION SHEET

Rev. D1 UK

The UFO Comet Light Source. Extremely high powered light output and full DMX, 0-10V, 1-10V, manual control and DALI (via an optional interface) make this an LED light source unparalleled in its light output and control capabilities.

The use of a custom slotted common end makes this innovative light source perfect for generating custom fibre optic lighting effects such as shooting stars, water simulation, light chasing and firework bursts.

Utilising industry standard protocols to control the unit's colour change, twinkle and dimming effects. The Comet light source is dimmable and you can also specify either a 10 segment colour change, a twinkle, or a dual effect wheel to allow for decorative effects. This is the ultimate unit for illuminating decorative fibre optic effect lighting. Features an LCD display which provides user feedback for ease of use.

Note that the Comet is a specialist light source which, in most use cases, will require input from UFO to design the twinkle wheel and populate the common end in the correct manner for your specific application. Please contact us for more information.

Universal Fibre Optics Ltd
Home Place \ Coldstream
TD12 4DT \ UK
+44 (0)1890 883416
www.ufo.lighting

Universal Fiber Optics USA LLC
1749 Northgate Blvd
Sarasota \ FL34234 \ USA
941-343-8115
www.fiberopticalighting.com

UFO Licht GmbH
Andreasstraße 20
93059 Regensburg \ DE
+49 (0)9491 955880
www.ufo-licht.de



General Information

Fibre Type	Glass / PMMA
Material / Finish	Sheet steel - grey powdercoat (RAL 7024)
Dimensions (L x W x H)	207mm x 265mm x 186mm
Weight	3.2kg
Operating Environment	Indoor use only - IP20
Ambient Temperatures	-10° C to +45°C

LED Array Data

LED Array Type	White light
LED Array Power	60W
LED Array Life (L70, B10)	>50,000 hours (typical)
Colour Temperature / CRI	5000K / >80CRI
Typical Luminous Flux	5400lm

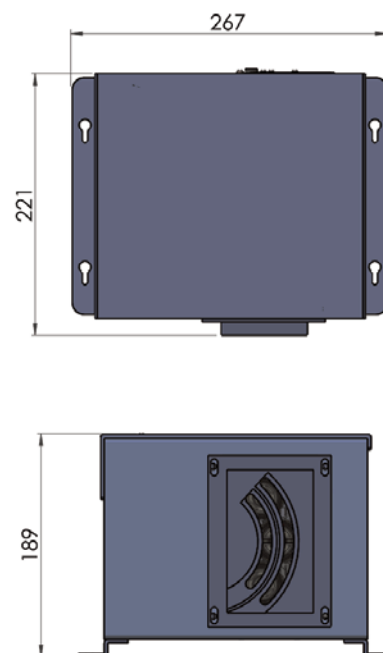
Lighting & Control Information

Decorative Effects	<p>Control over dimming, colour change effects or twinkle effects. Supports one built in effect wheel.</p> <p>The slotted common end allows fibre to be inserted in such a way to allow creation of specialist lighting effects such as shooting stars, fireworks and light chasing effects.</p> <p>The Comet can be specified with single or dual row common end. The single row common end allows for brighter light output as all light is directed straight at it. The dual row common end allows for more fibre to be inserted but the light is slightly dimmer due to being shared over both rows.</p>
Control	DMX, 010V, 110V, manual, DALI (via optional interface)

Electrical Characteristics

Supply Voltage	100-240V AC, 50-60Hz
PSU Output / Type	48V, 96W desktop PSU
Fan Type	Crossflow
Thermal Protection	On LED PCB thermistor

Dual Slot Version



Single Slot Version

