

PRODUCT SPECIFICATION SHEET

Quasar White Light LED Light Source



Rev. C6



The UFO Quasar LED. Extremely high powered light output and full DMX , 0-10V, 1-10V and manual control make this an LED light source unparalleled in its light output and control capabilities.

Utilises industry standard protocols to control the unit's dimming effects. This is the ultimate light source for illuminating fibre optic effect lighting when a crisp, bright, controllable white light is required.

Features an LCD display which provides user feedback for ease of use.

Available in a range of colour temperatures and in both >80CRI and >90 CRI versions.

Fitted with a standard 30mm fibre port connector, this light source is suitable for both new installations and retro-fitting to existing fibre optic installations.

The Quasar light source is only suitable for illuminating glass fibre. For PMMA fibre applications we recommend using the newer Sirius S. The enhanced technology in the Sirius S gives much brighter light output than the original Quasar PMMA models.

GENERAL INFORMATION

Port connector size	30mm diameter
Fibre type	Glass Only The Quasar White Light is not suitable for PMMA fibre - please use the newly designed Sirius S light source which provides greater light output when illuminating PMMA fibre.
Material/Finish	Aluminium, grey powdercoat (RAL7024)
Dimensions (L x W x H)	309mm (12.1") x 236mm (9.3") x 158mm (6.2")
Weight	3.96kg
Operating Environment	Indoor use - IP20
Min Ambient Temp.	-10°C
Max Ambient Temp.	+45°C

LIGHTING AND CONTROL INFORMATION

Control Functionality	0-10V \ 1-10V \ DMX \ Manual dimming
DMX Functionality	User addressable to 512
DMX Channels	2 channels

LED ARRAY DATA

LED Array Type	White Light - 22mm LES CoB
LED Array Power	150W
LED Array Model	Bridgelux Gen 8 V22 Series
LED Array Life (L70, B10)	50,000 hours typical

STANDARD CRI (>80) RANGE OPTIONS

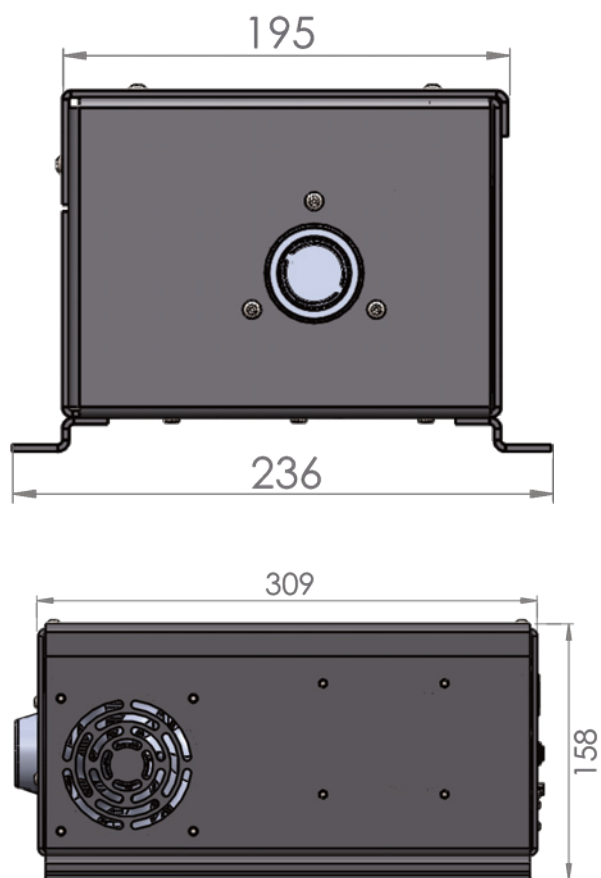
Lumens direct from common end @ 90°C target temperature

3000K : 21499lm	4000K : 22131lm	5000K : 22396lm
5700K : 21499lm	6500K : 22637lm	

HIGH CRI (>90) RANGE OPTIONS

Lumens direct from common end @ 90°C target temperature

2700K : 16693lm	3000K : 17452lm	4000K : 18464lm
-----------------	-----------------	-----------------



ELECTRICAL CHARACTERISTICS

Supply Voltage	90 - 305Vac
Mains Running Current	0.8A @ 240Vac
Mains Voltage VA rating	186VA
Fan Type	Sunon 92mm - 32dBA

AVAILABLE ACCESSORIES

MAS0504026R5	Weatherproof Enclosure
UFO Unidim CVD1	Remote manual dimmer with plate
UFO Unidim CVD3	Remote current sink dimmer with plate

LIGHT SOURCE PRODUCT CODES

MODEL	COLOUR TEMPERATURE		CRI		EFFECTS	
UFO QUA	3000K	30	80	80	None	X
	4000K	40			Emergency White light	E
	5000K	50				
	5700K	57				
	6500K	65				
	2700K	27	90	90		
	3000K	30				
	4000K	40				
UFO QUA	-		-		-	

e.g, UFO QUA-30-90-X

