

PRODUCT SPECIFICATION SHEET



Rev. C1

UFO P22 Paver



TECHNICAL INFORMATION

Lens	13.85mm clear
Beam angle	54°
Material	316 Stainless steel
Finishes available	Stainless steel
Weight	46.6g
Mounting hole size	22mm
Ferrule size	6mm
Min. fibre size	2mm
Max. fibre size	5mm

Our range of classic paver fittings are all manufactured from hard wearing, corrosion resistant 316 stainless steel, and fitted with high quality toughened glass.

Available in a wide range of sizes, paver fittings can generally be used with fibre sizes ranging from 2mm up to 8mm diameter. This is dependent on the size of ferrule the fitting can accept.

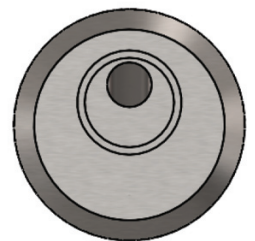
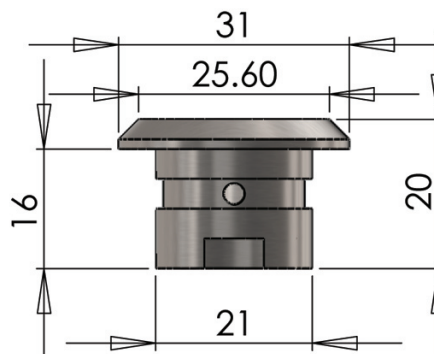
All pavers are supplied in natural stainless steel and most types are available with a choice of clear or frosted glass.

The P22 is a small paver with a 31mm round, bevelled flange and a total depth of 20mm. Fitted with a 13.85mm diameter toughened clear glass front. When a ferrule is inserted into this fitting it sits at a 30° angle which guides the light diagonally.

Please note: this fitting is made to order only. Delivery will be subject to an extended lead time and price will be dependant on the quantity ordered.

ORDERING CODES

MODEL	LENS		FERRULE SIZE	
UFO P22	Clear	C	6mm	6mm
UFO P22				



Universal Fibre Optics Ltd
Home Place \ Coldstream
TD12 4DT \ UK
+44 (0)1890 883416 \ www.ufo.lighting

Universal Fiber Optic Lighting USA, LLC
1749 Northgate Blvd
Sarasota \ FL34234 \ USA
941-343-8115 \ www.fiberopticlighting.com

UFO Licht GmbH
Andreasstraße 20
93059 Regensburg \ Deutschland
+49 (0)9491 955880 \ www.ufo-licht.de