

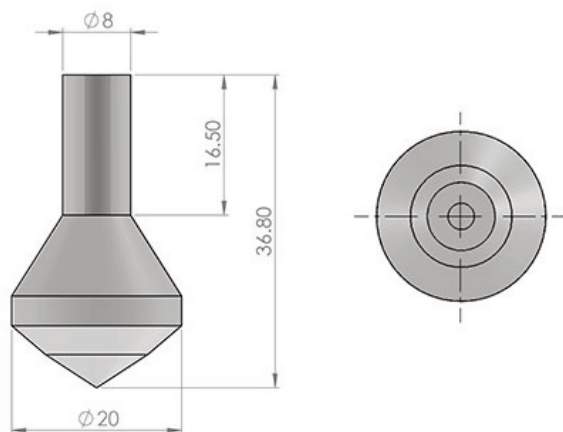
## UFO Rosebud



A clear, bud shaped polycarbonate fitting with a slightly frosted front to diffuse the light.

The rosebud is suitable for use with 1mm diameter end lit fibre which is attached to the fitting using a 3mm diameter crimp ferrule.

Fitted by pushing into a mounting surface and secured in place with silicone.



### TECHNICAL INFORMATION

Product Code	UFOROSE-10
Material	Polycarbonate
Finish	Clear with frosted front
Outer Diameter	20mm
Weight	0.2g
Mounting hole size	8mm
Fibre size	1mm active diameter

