

PRODUCT SPECIFICATION SHEET



Rev. C1

UFO S1 Sparkle Fitting



A flanged sparkle point fitting which is available in plastic for indoor use or stainless steel for outdoor use.

Flange available in a variety of finishes. A stainless steel version with a threaded back is also available.

As an optional extra, we can supply accessory tubes which allow mounting these fittings through single or double skinned ceilings. These are available in 25mm, 80mm or 135mm lengths.

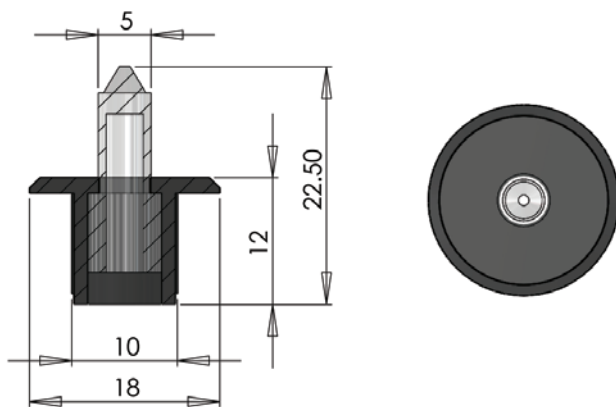
Stainless steel and chrome finishes are subject to availability, special orders and extended lead times are required.

TECHNICAL INFORMATION

Material	Acrylic lens, polycarbonate or stainless steel flange
Finish	Clear lens with flange in either stainless steel, chrome, black or white
Size	18mm
Weight	1.1g
Mounting hole size	10mm
Ferrule size	Size 1 crimp
Fibre size	1mm active diameter

ORDERING CODES

MODEL	MATERIAL		FINISH	
UFO S1	Polycarbonate	PO	Black	BL
	Stainless Steel	SS	White	WH
			Chrome	CH
			Stainless Steel	SS
UFO S1				



Universal Fibre Optics Ltd
Home Place \ Coldstream
TD12 4DT \ UK
+44 (0)1890 883416 \ www.ufo.lighting

Universal Fiber Optics USA LLC
1749 Northgate Blvd
Sarasota \ FL34234 \ USA
941-343-8115 \ www.fiberopticlighting.com

UFO Licht GmbH
Friendsfactory AG \ Gutenbergstraße 1
85737 Munchen \ Deutschland
+49 (0)9491 955880 \ www.ufo-licht.de