

PRODUCT SPECIFICATION SHEET



Rev. C1

UFO Star Lens



Small conical fittings made from polycarbonate for star effects. Supplied with back washer which can be optionally fitted. Has a dome shaped profile. Supplied with a back washer which can be optionally fitted.

Makes it easier to drill the holes required for small fibres from 0.75mm to 1.5mm, while giving a slightly softer look to the light.

Can help conceal uneven holes and makes it easier to seal around when used in a humid area.

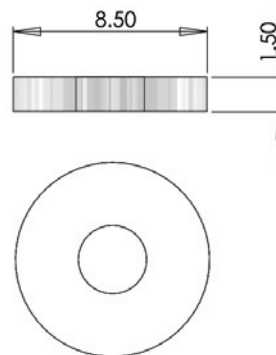
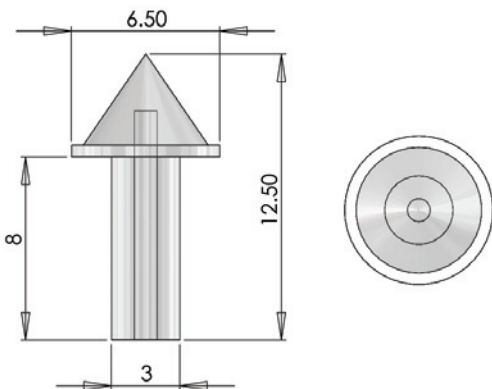
The optional clear washer effectively expands the diameter of the lens where uneven holes have been drilled.

TECHNICAL INFORMATION

Material	Acrylic
Finish	Clear
Size	6.5mm
Weight	0.1g
Mounting hole size	3mm
Fibre size	0.75mm, 1mm, 1.5mm polymer

ORDERING CODES

MODEL	MATERIAL		FIBRE SIZE		FINISH	
UFO SL	Acrylic	AC	0.75mm	75	Clear	CL
			1mm	1		
			1.5mm	15		
UFO SL						



Universal Fibre Optics Ltd
Home Place \ Coldstream
TD12 4DT \ UK
+44 (0)1890 883416 \ www.ufo.lighting

Universal Fiber Optics USA LLC
1749 Northgate Blvd
Sarasota \ FL34234 \ USA
941-343-8115 \ www.fiberopticlighting.com

UFO Licht GmbH
Friendsfactory AG \ Gutenbergstraße 1
85737 Munchen \ Deutschland
+49 (0)9491 955880 \ www.ufo-licht.de