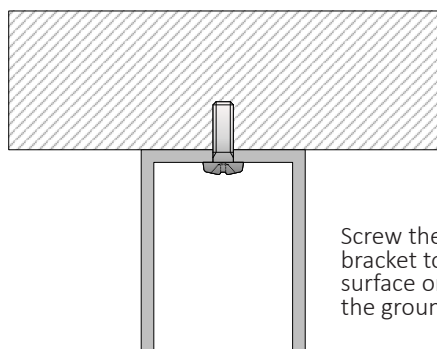
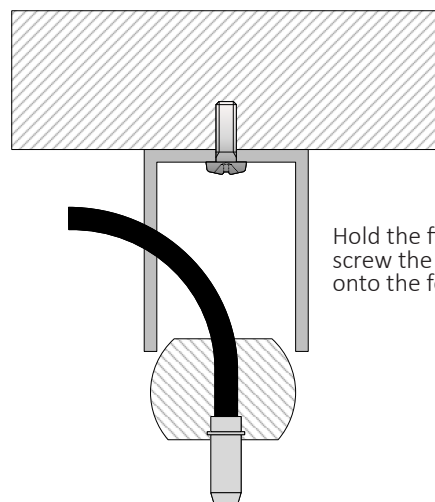


FIBRE OPTIC DOWNLIGHT FITTING GUIDE UFO 4D / UFO 10DBR



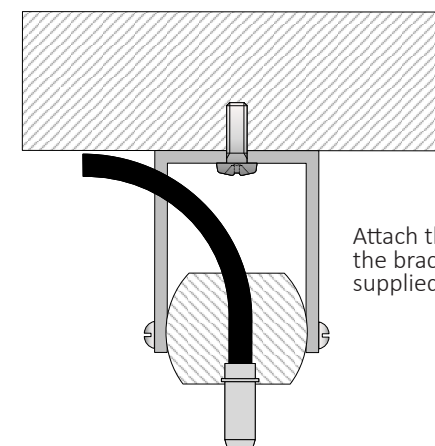
Screw the supplied bracket to the mounting surface or, if being used, the ground spike.

1



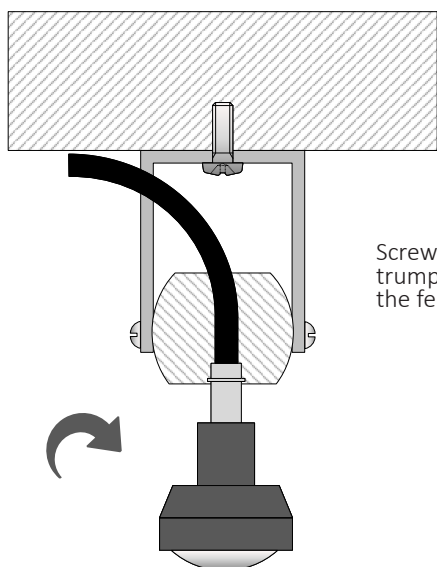
Hold the fibre tail and screw the fitting body onto the ferrule.

2



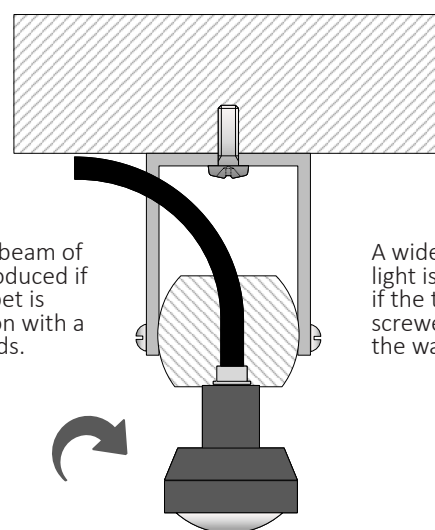
Attach the body to the bracket using the supplied screws.

3



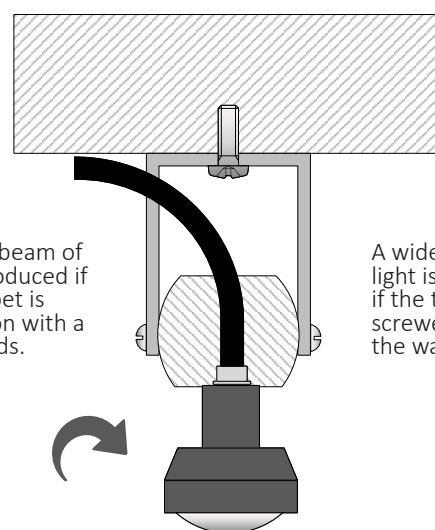
Screw the trumpet onto the ferrule.

4

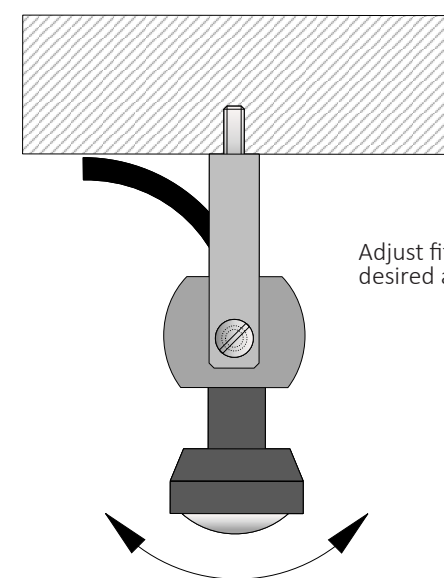


A narrow beam of light is produced if the trumpet is screwed on with a few threads.

5



A wide beam of light is produced if the trumpet is screwed on all the way.



Adjust fitting to desired angle.

6

Note that this guide is indicative only. Installation of these fittings is dependant on the surface they are being installed in and local environmental conditions.

find us online: [uk]www.ufo.lighting

[usa]www.fiberopticlighting.com

[de]www.ufo-licht.de