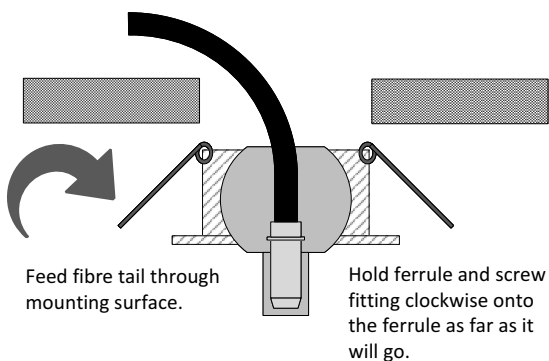
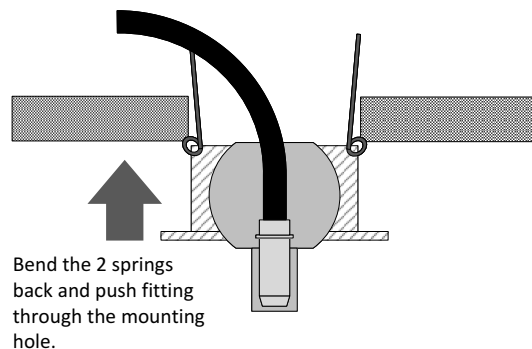


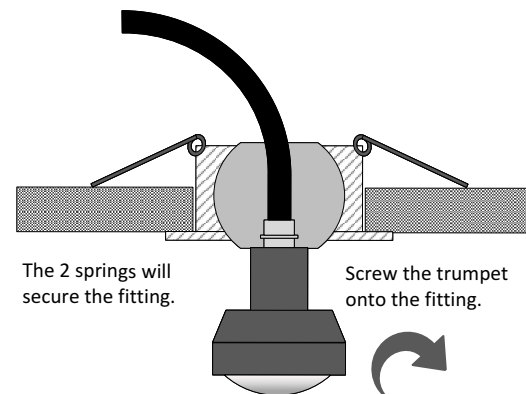
FIBRE OPTIC DOWNLIGHT FITTING GUIDE UFO 9D / UFO 10D / UFO 10DA



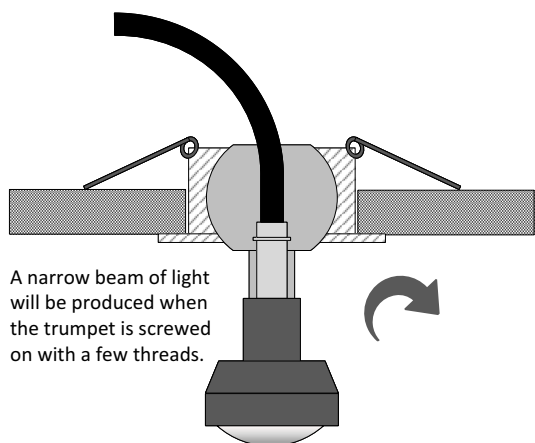
1



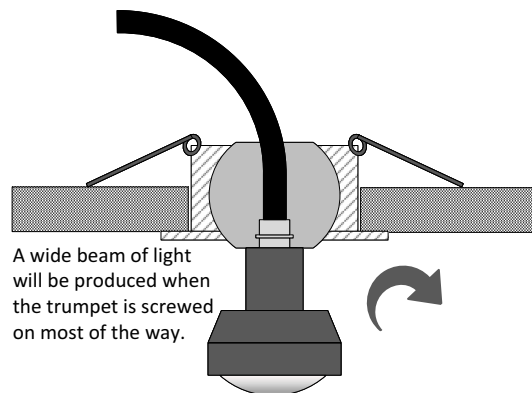
2



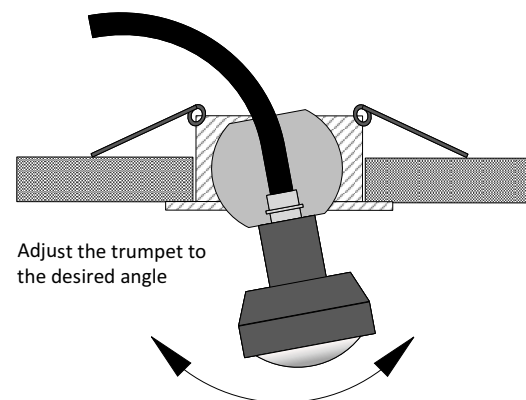
3



4



5



6

HOLE CUTOUT SIZES

9D	Ø 31mm / 1.22"
10D	Ø 40mm / 1.57"
10DA	Ø 40mm / 1.57"

UFO10DA TRUMPET

Note that the UFO 10DA has a cone shaped trumpet as shown below. The fitting procedure for this is the same as detailed.



Note that this guide is indicative only. Installation of these fittings is dependant on the surface they are being installed in and local environmental conditions.