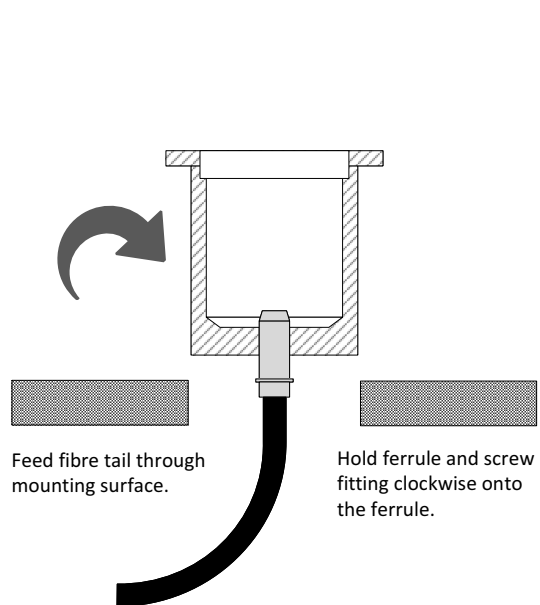


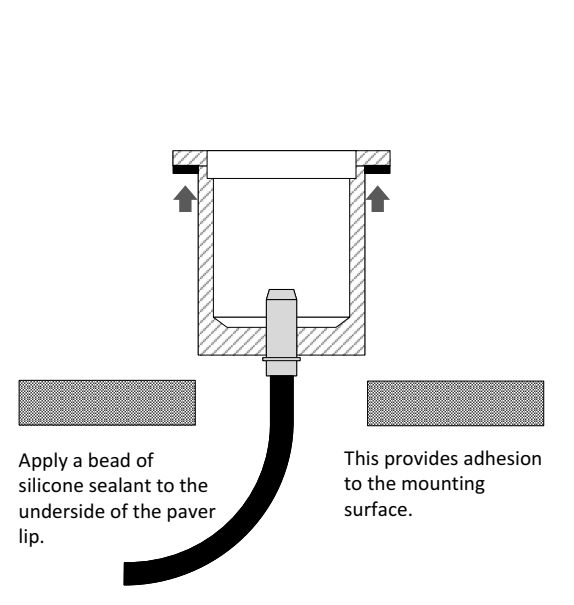
FIBRE OPTIC PAVER FITTING GUIDE

UFO P1 / UFO P2 / UFO P3 / UFO P4 / UFO P7 / UFO P9 / UFO P11 / UFO P13
 UFO P14 / UFO P15 / UFO P18 / UFO P19 / UFO P20 / UFO P21 / UFO P22

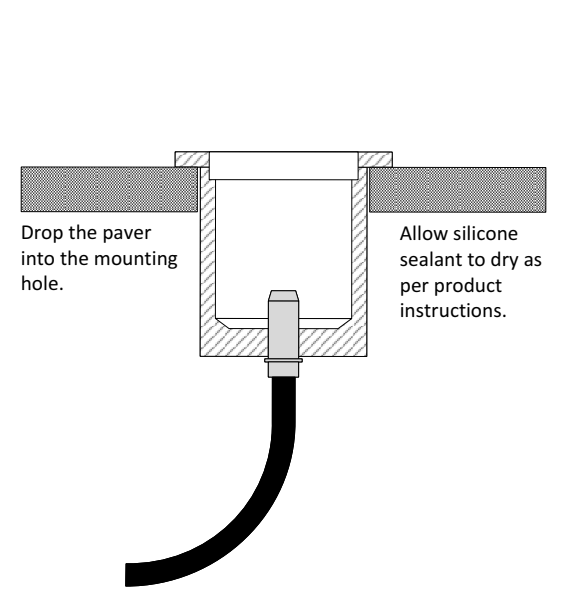


Note that paver fittings which have a domed lens are focusable. The further the ferrule is screwed into the fitting, the wider the output light beam will be.

1



2



3

HOLE CUTOUT SIZES

P1	Ø 38mm / 1.5"
P2	Ø 27mm / 1.06"
P3	Ø 28mm / 1.1"
P4	Ø 13mm / 0.51"
P7	Ø 72mm / 2.84"
P9	Ø 15mm / 0.59"
P11	Ø 48mm / 1.89"
P13	Ø 28mm / 1.1"
P14	Ø 38mm / 1.5"
P15	Ø 51mm / 2.01"
P18	Ø 54mm / 2.24"
P19	Ø 38mm / 1.5"
P20	Ø 38mm / 1.5"
P21	Ø 19mm / 0.75"
P22	Ø 22mm / 0.87"

Note that this guide is indicative only. Installation of these fittings is dependant on the surface they are being installed in and local environmental conditions.

find us online: [uk]www.ufo.lighting

[usa]www.fiberopticlighting.com

[de]www.ufo-licht.de