



User Guide

UFO ECLIPSE LED TRACK LIGHTING SYSTEM

Rev. D1 UK

This guide contains important safety information and installation instructions.

Please read fully before installing, operating or performing any maintenance on the product.

02

Introduction & Safety

Thank you for purchasing the UFO Eclipse Lighting System. This user guide contains important information and should be read fully before any installation work commences. Please keep for future reference.

UFO Eclipse is a discrete track lighting system which uses 2700K, 3000K or 4000K LED tape to provide a linear lighting effect.

An Eclipse system consists of a length of track fitted with LED tape, which is connected to the specified control gear. The track can be specified in either a rectangular or triangular profile.

The LED tape is dimmable using a UFO supplied dimmer/driver system. Eclipse supports dimming via a number of industry standard methods, including DALI, 0-10V and bluetooth and can also be controlled manually via potentiometers.

Important

This product must be installed in accordance with the applicable installation code by a person familiar with the construction and operation of the product, its component parts and the hazards involved.

Electrical wiring and connection must be carried out by a suitably qualified person observing all local and statutory electrical regulations.

The light source contained in this luminaire shall only be replaced by the manufacturer or his service agent or a similar qualified person.

The Eclipse system should only be connected to a class 2 power supply unit.

Important Safety Information $t_a 40^\circ\text{C}$ 24V DC

Eclipse operates on a constant voltage low voltage supply. Constant voltage and constant current LEDs cannot be inter-mixed on the same driver. Please refer to the specific section within this manual for connection guidance..

Eclipse systems operate on 24V DC only. Connecting the system to a driver with excessive voltage output will result in catastrophic damage to the LED devices within the luminaire. Always check the output voltage of the driver to ensure correct output voltage prior to powering up the system.

Eclipse systems are suitable for indoor / dry area use only and must not be installed in damp or wet locations.

The maximum length of supply cable between the class 2 PSU and the driver must not exceed 5 metres.

04 Model Overview

Systems Covered In This User Guide

Product Type	Description
UFO Eclipse Rectangular	Rectangular profile track
UFO Eclipse Triangular	Triangular profile track

Eclipse systems are generally supplied fully built in the factory however electrical components may need connected together.

See the appropriate sections in this user guide for more details.

Track Types and Parts

Eclipse extrusion is manufactured from either rectangular or round profile aluminium which is only available in anodised black.

Extrusion can be supplied in lengths between 92mm and 2287mm.

Power is supplied via either the end of the extrusion.

Power is hardwired however Wago connectors are utilised so that the system can be disconnected if required for installation purposes.

The open part of the track is fitted with LED tape - either 2700K, 3000K or 4000K - and is covered by a plastic frosted effect diffuser.

Optional Eyelid(s)

An Eclipse system can be specified with optional eyelid(s) which are simply clipped onto the supplied mounting brackets and offer a way to direct the light output as well as reducing any glare from the luminaire.

Eyelids can span the length of the track or can be split into sections so for example:

- One installed at left end, then a gap and another installed at right end.
- One installed on top of track and another installed at bottom so that the light can be shone in different directions.

Driver & Dimmer

Eclipse is powered by a desktop style 24V DC power supply unit and as standard is supplied with no dimming control.

Dimming controls are available as an optional extra and the following can be specified:

- Manual potentiometer
- DALI
- 0-10V
- Eulum Xicato Bluetooth
- Casambi Bluetooth

06

Model Variants

UFO Eclipse Rectangular

This system uses a rectangular profile track with a power in connector on one end and a cap on the other. Can be specified either with or without eyelids. C clips are used for mounting purposes and are different depending on whether eyelids are fitted or not.



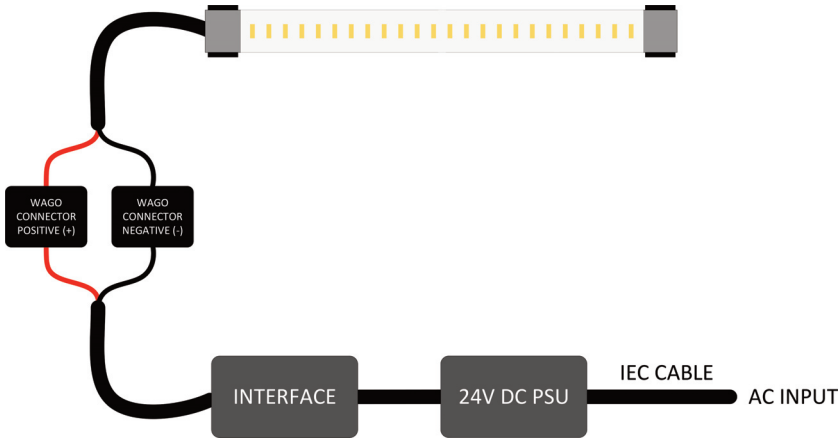
UFO Eclipse Triangular

This system uses a triangular profile track with a power in connector on one end and a cap on the other. Can be specified either with or without eyelids. C clips are used for mounting purposes and are different depending on whether eyelids are fitted or not.



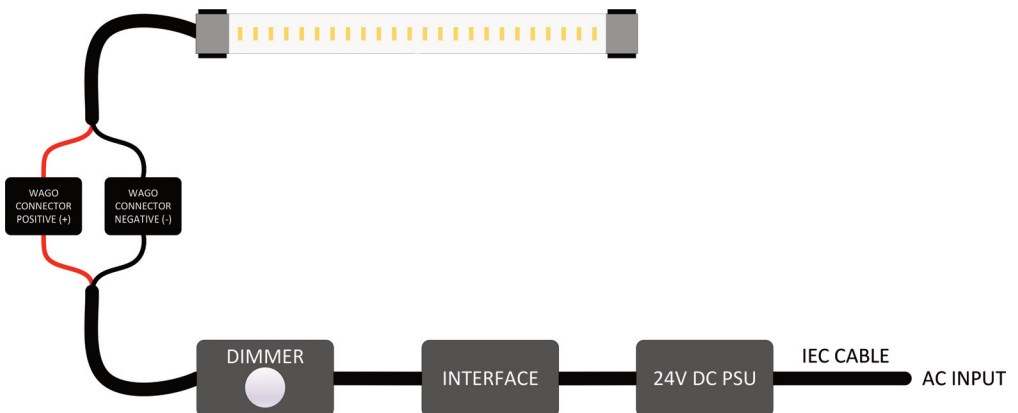
No Dimming

Systems supplied with no dimmer have the interface wired straight to the WAGO connectors. All powered by a 24V DC desktop PSU.



Manual Dimming

Systems supplied with manual dimming have a potentiometer control installed between the interface and the WAGO connectors. All powered by a 24V DC desktop PSU.

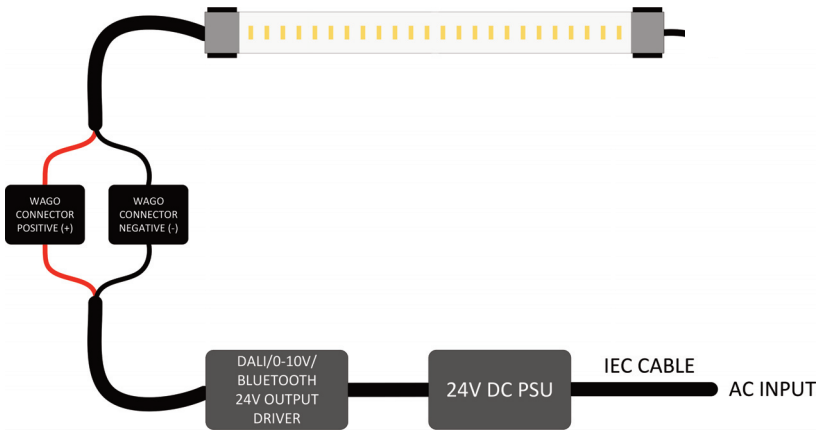


08

Drivers & Dimmers

DALI / 0-10V / Bluetooth Dimming

Systems supplied to be dimmed with an external controller have the appropriate driver installed between the PSU and the WAGO connectors. The driver will need to be connected to a third party controller which we generally do not supply. All powered by a 24V DC desktop PSU.

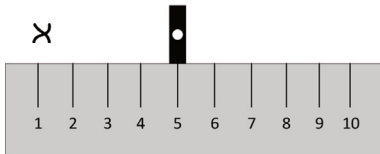


Mounting with C-Clips

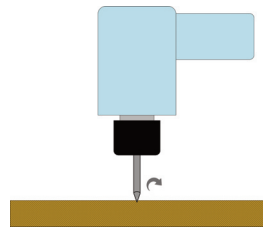
The track is straight and the clips **MUST** be installed in a straight line. Any bend in the installation or attempt to make the track fit in improperly aligned clips could damage the track, fittings and clips.

A clip must be installed at each end of the track, and at a maximum of 250mm centres if eyelid is fitted or 500mm centres if no eyelid is used.

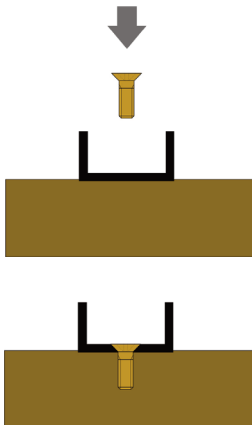
- ① Using a straight edge or laser mark the clip positions.



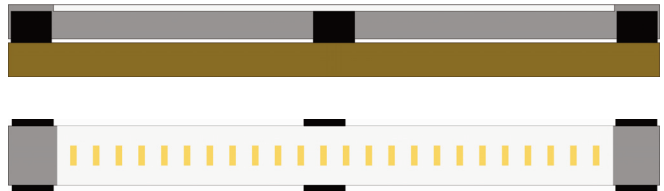
- ② Use a 2mm or smaller drill bit to create pilot holes for the mounting screws.



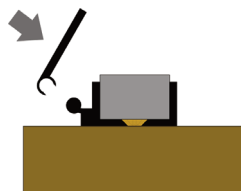
- ③ Use M3 countersunk screws suitable for the mounting surface to secure the clips.



- ④ Fit the track by gently pushing the track into the clips.



- ⑤ If specified, clip the eyelid into the specially adapted mounting clips.



Problem	Possible Cause	Possible Solution
System is dead. Power LED on junction box is not lit and no light output from the Eclipse extrusion.	Mains supply off or fuse blown.	Check supply & reinstate.
	Loose/faulty mains connection.	Check and repair.
	Loose PSU output wire or connection.	Check all connections.
	PSU failed.	Check with DVM and replace if necessary.
Power LED on junction box is lit but no light output from the Eclipse extrusion.	Loose or broken wire to the Eclipse extrusion.	Check all connections are secure and making good contact.
	Output polarity reversed.	Check junction box output and all connections with DVM.
Power LED on junction box is lit but no or dim light output from the Eclipse extrusion.	PSU output inadequate for load (14.4W/M) plus voltage drop over cables.	Check PSU output and tape length – upgrade PSU.
[DIMMING SYSTEMS] No dimming functions - light output always at 100%.	Dimmer faulty, wrongly set up, wrongly connected etc.	Check / replace dimmer.
	Wrong type of dimmer used. Ensure 24V constant voltage dimmer used.	Check dimmer instructions - ensure set up correctly.
[DIMMING SYSTEMS] No output from system when dimmer used - power LED on junction box lit. Also flickering, flashing or lighting but not dimming.	Dimmer faulty, wrongly set up, wrongly connected etc.	Check all wiring. Bypass installation wiring using known good cables to test if wiring is at fault.
	Wrong type of dimmer used. Ensure 24V constant voltage dimmer used.	Check dimmer instructions - ensure set up correctly.
	Wiring issues – incorrect wiring accounts for around 90+% of faults on these systems.	Check / replace dimmer. Try bypassing dimmer – connect junction box directly to Eclipse to check function.



Universal Fibre Optics

Home Place
Coldstream, TD12 4DT
United Kingdom
+44 (0) 1890 883416
www.ufo.lighting

Universal Fiber Optics USA

1749 Northgate Blvd
Sarasota, FL34238
United States
941-343-8115
www.fiberopticalighting.com

UFO Licht GmbH

Andreastrasse 20
93059 Regensburg
Deutschland
+49 (0) 9491 955880
www.ufo-licht.de



DESIGN



SPECIFY



BUILD



INSTALL

